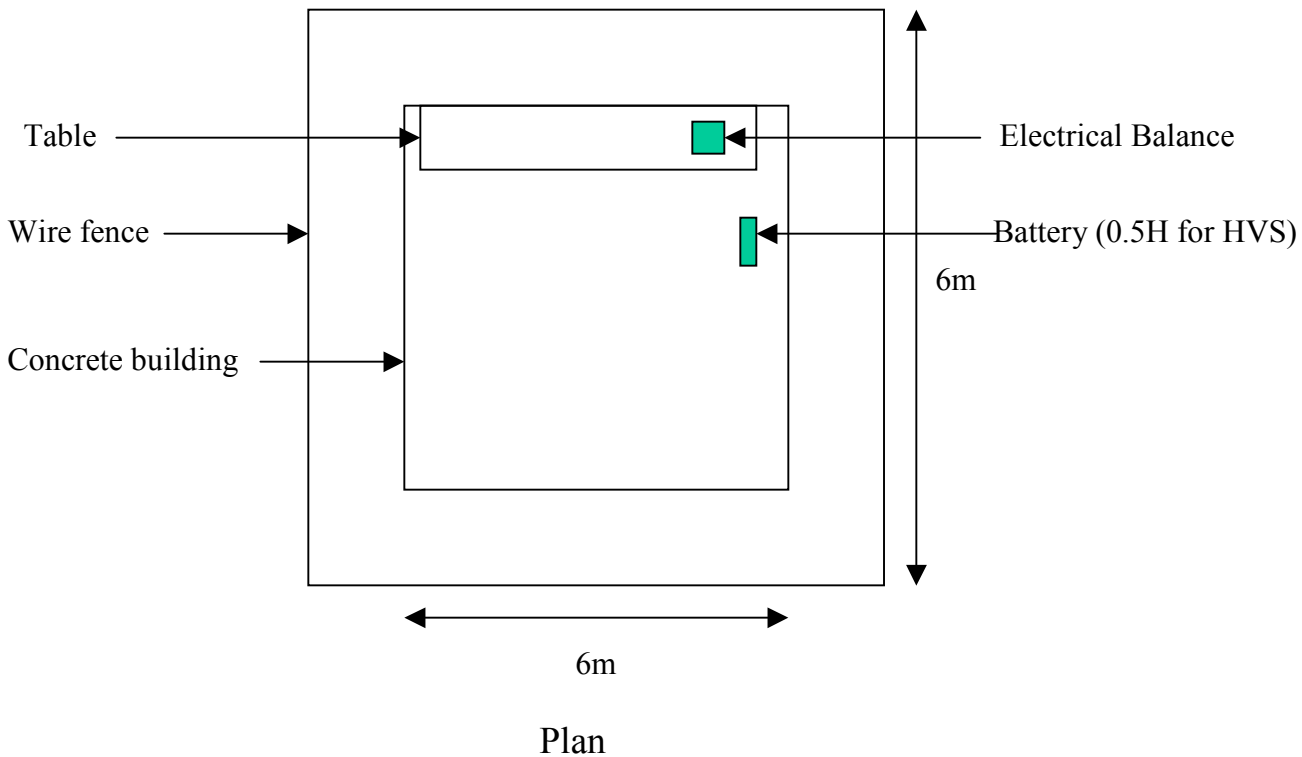
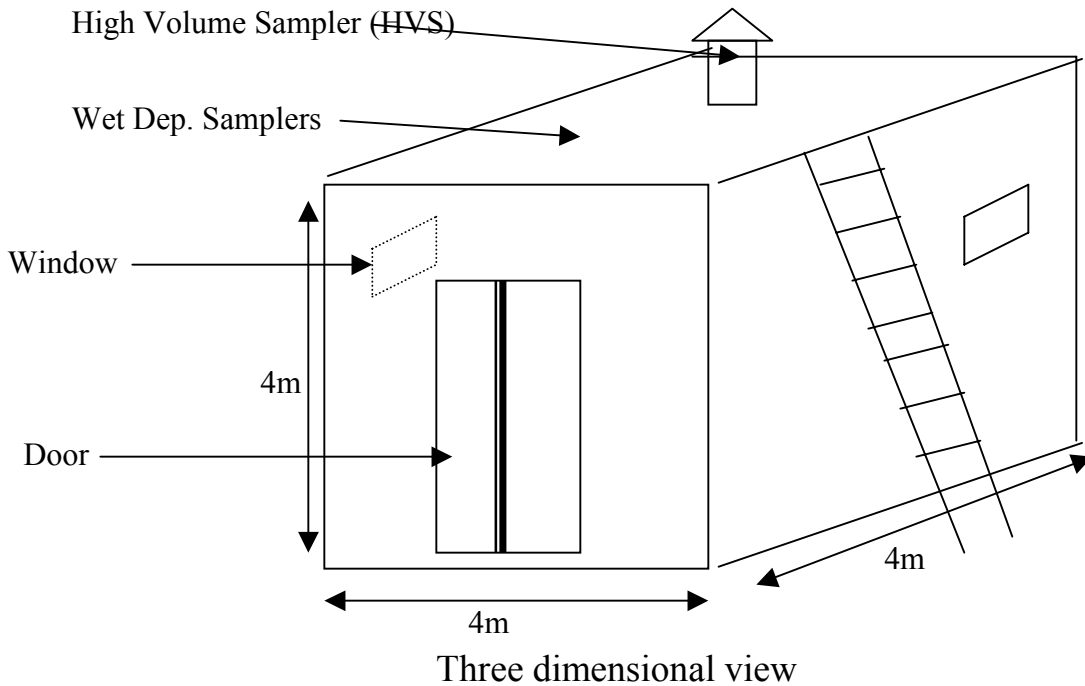


# Schematic Diagram of a Monitoring Station for Male Declaration



Note:

Building should be built on a high altitude